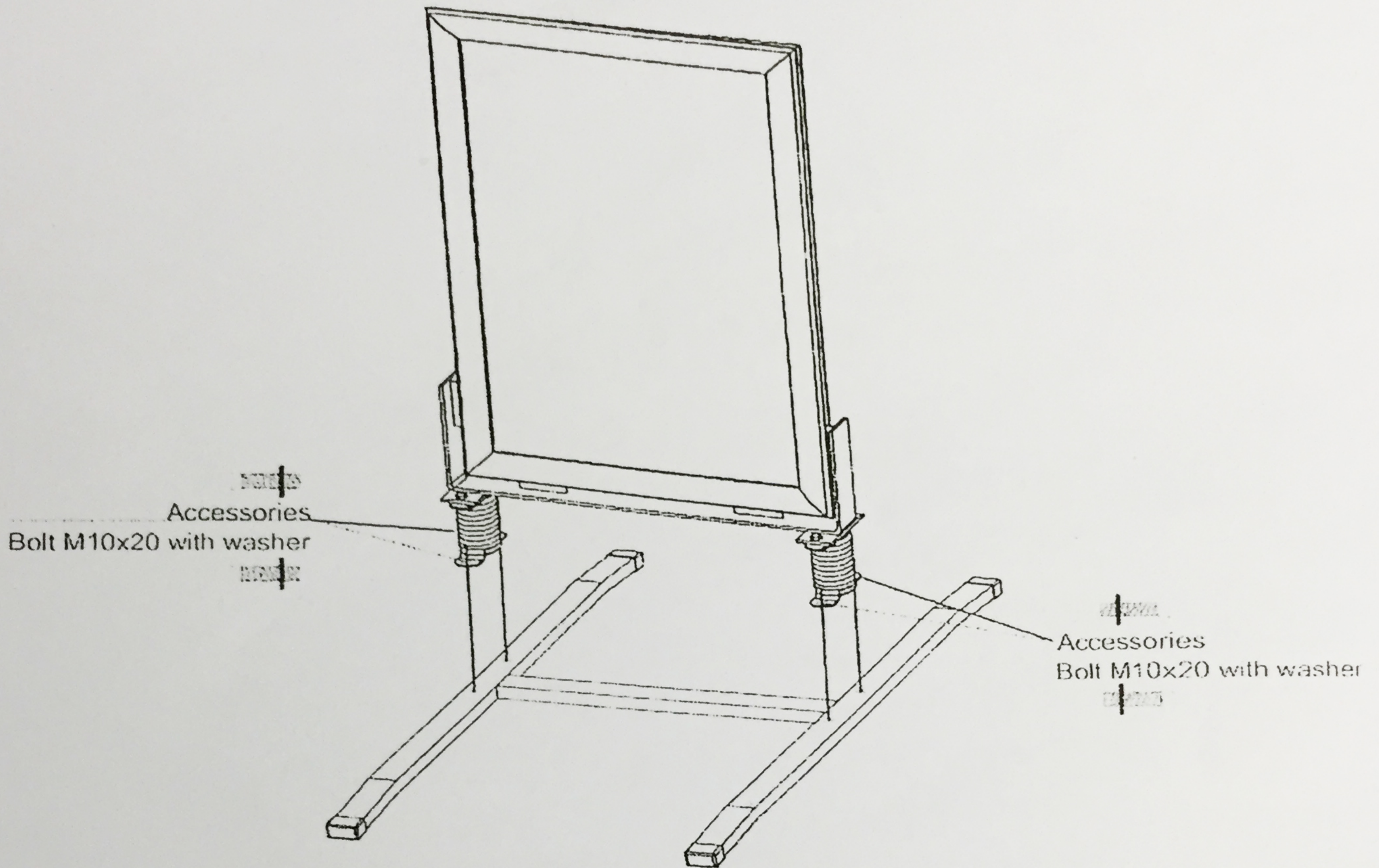


Wind Sign

Fix the base with accessories



Open the snapframe all round
Insert your poster behind the protective cover sheet
Shut snapframe all round

